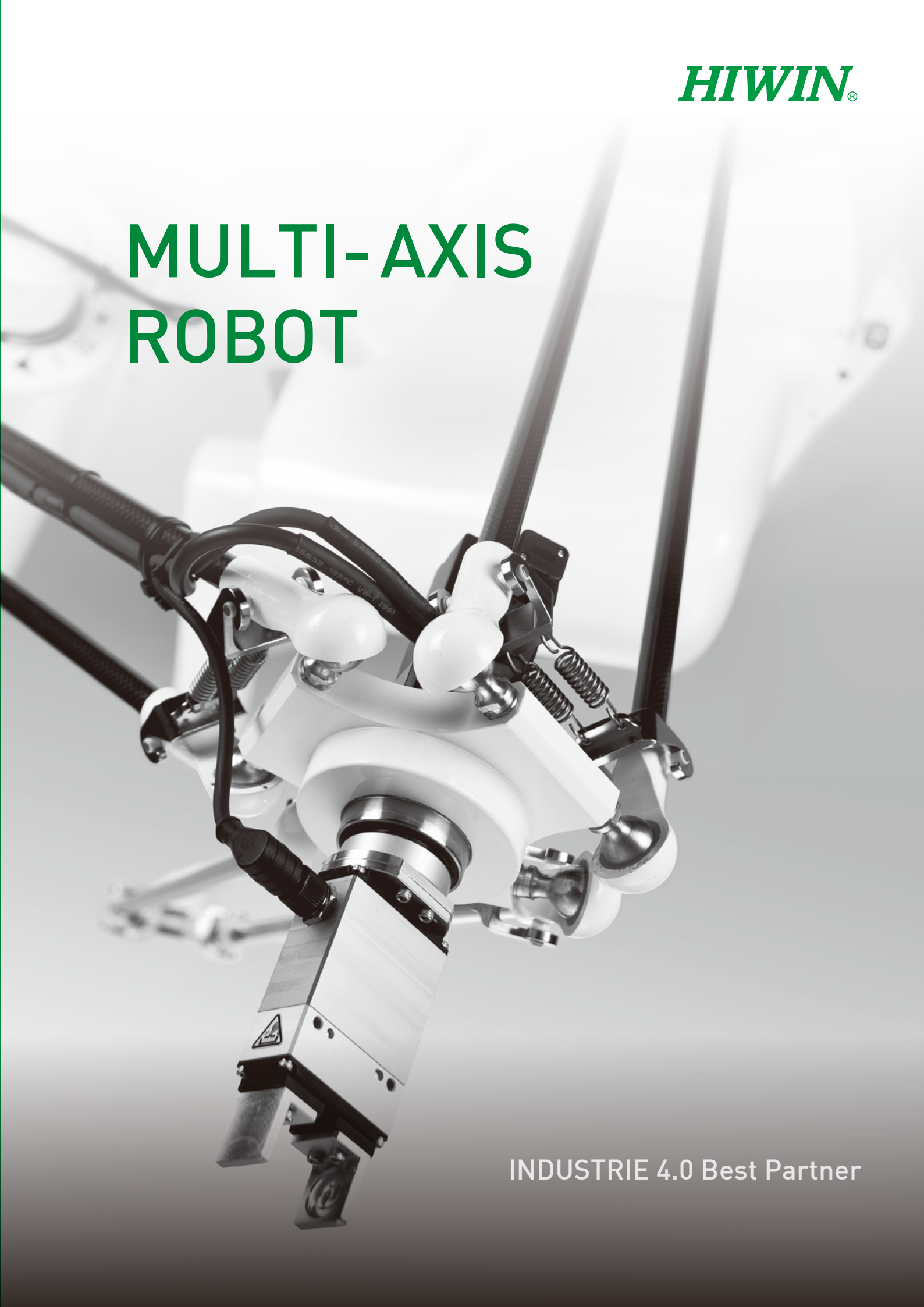


**HIWIN®**

# MULTI-AXIS ROBOT



INDUSTRIE 4.0 Best Partner

# Articulated Robot

# RT605-GB RA605-GC ● NEW



RT605-710-GB

RA605-710-GC CE RoHS

## Features

A compact sized articulated robot with arm length and payload similar to a human arm. Its flexible design and small footprint makes it perfect in applications like assembly lines. It can also be used in inverted applications to save space.

## Application

Assembly, dispensing, visual inspection, small components loading and unloading, inverted application.

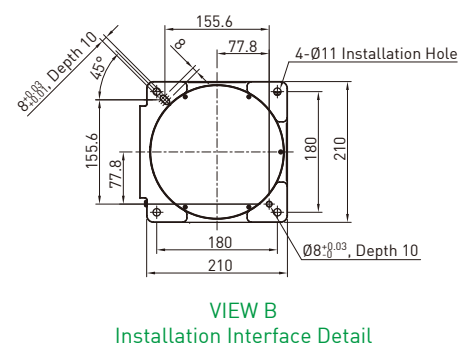
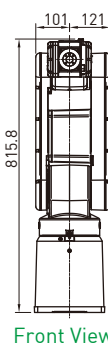
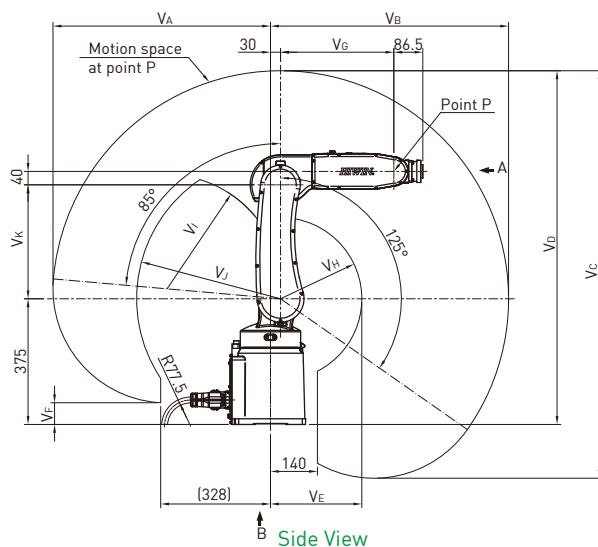
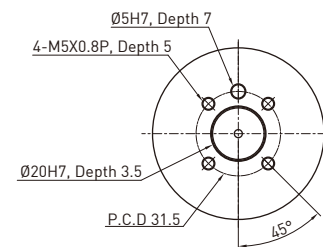
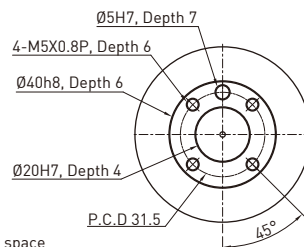
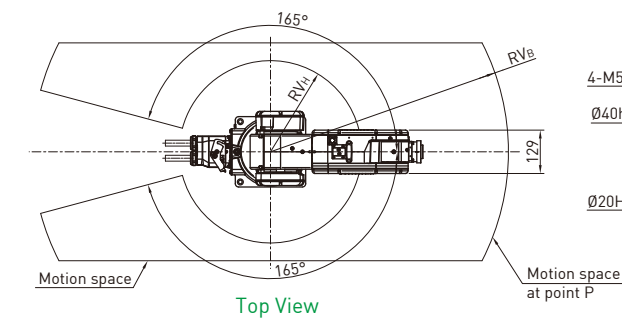
Model	RT605-GB		RA605-GC	
Degrees of freedom	6			
Rated payload[kg]	5			
Maximum payload[kg]	7			
Max. reach radius[mm]	710	909	710	909
Working range [deg]	J1	±165		
	J2	+85 / -125		
	J3	+185 / -55		
	J4	±190		
	J5	±115		
	J6	±360		
Repeatability[mm]	±0.03	±0.04	±0.02	±0.03
Cycle time[s]*Note 1	0.5			
Weight[kg]	40	45	40	45
Protection rating	IP32		IP65	
Controller	RCT605-GB		RCA605-GC	
Pneumatics	Two channels of pneumatic connection			
Safety/Environmental standard	-		CE/RoHS2.0	

\* Note 1: Based on a back-and-forth movement over a vertical distance of 25mm and a horizontal distance of 300mm.

## Dimensions

Model / Dimensions	V <sub>A</sub>	V <sub>B</sub>	V <sub>C</sub>	V <sub>D</sub>	V <sub>E</sub>	V <sub>F</sub>	V <sub>G</sub>	V <sub>H</sub>	V <sub>I</sub>	V <sub>J</sub>	V <sub>K</sub>
RT605-710-GB	650	710	1215	1055	272	67	338	R242	R340	R429	340
RT605-710-GC											
RA605-909-GB	848.1	909.8	1571	1254.8	332	24.7	438	R302.5	R439.8	R564.3	440
RA605-909-GC											

Unit:mm



# Articulated Robot

# RA610-GC ● NEW



RA610-1476-GC



RA610-1151-GC



## Features

Slender and agile articulated robot with six degrees-of-freedom, it can meet customers' optimal load and work range requirements. The design is well-suited for machine tending applications. It can also be integrated with a vision system for material inspection.

## Application

Packaging, deburring, dispensing, visual inspection, machine tending.

Model	RA610-GC				
Degrees of freedom	6				
Rated payload[kg]	30	12	10	10	7
Maximum payload[kg]	32	14	12	12	9
Max. reach radius[mm]	1151	1355	1476	1672	1869
Working range [deg]	J1	±170			
	J2	+85 / -150	+95 / -150		
	J3	+185 / -85			
	J4	±190			
	J5	±130	±135		
	J6	±360			
Repeatability[mm]	±0.06	±0.05	±0.06		
Cycle time[s]*Note 1	1				
Weight[kg]	136	143	147	150	152
Protection rating	IP54(Wrist:IP65)				
Controller	RCA610-GC				
Pneumatics	Two channels of pneumatic connection		Three pneumatic solenoid valves connections		
Safety/Environmental standard	CE/RoHS2.0				

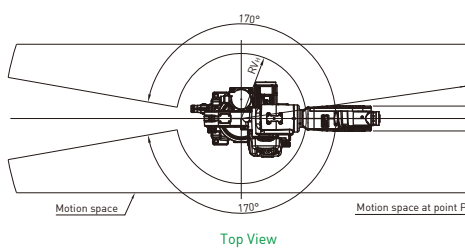
\* Note 1: Based on a back-and-forth movement over a vertical distance of 25mm and a horizontal distance of 300mm.

## Dimensions

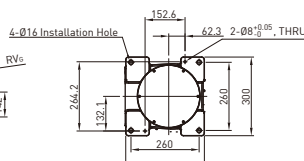
Model / Dimensions	V <sub>A</sub>	V <sub>B</sub>	V <sub>C</sub>	V <sub>D</sub>	V <sub>E</sub>	V <sub>F</sub>	V <sub>G</sub>	V <sub>H</sub>	V <sub>I</sub>	V <sub>J</sub>
RA610-1355-GC	1075	1355	2343	1663	372.5	182	552	R232.5	R575	R688
RA610-1476-GC	1196	1476	2587	1785	368	304	678	R228	R697	R784
RA610-1672-GC	1392	1672	2979	1981	463	500	878	R323	R892	R951
RA610-1869-GC	1589	1869	3374	2178	630	697	1078	R490	R1089	R1129

Unit:mm

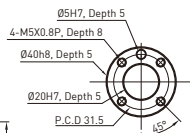
### RA610-GC



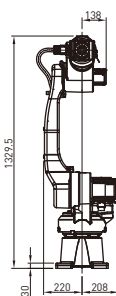
Top View



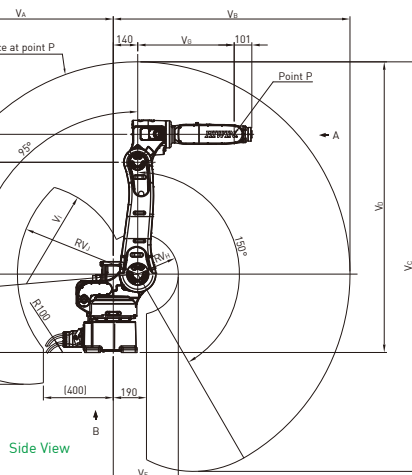
VIEW B Installation Interface Detail



VIEW A Mounting Flange Detail

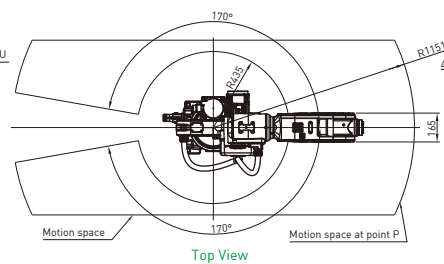


Front View

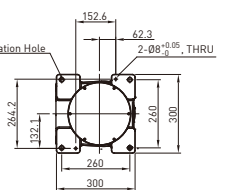


Side View

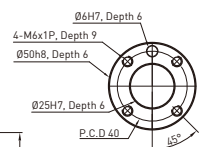
### RA610-1151-GC



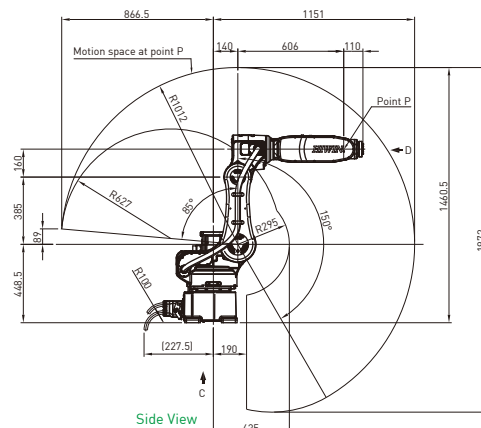
Top View



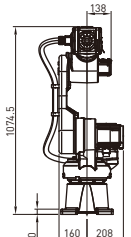
VIEW C Installation Interface Detail



VIEW D Mounting Flange Detail



Side View



Front View

# SCARA Robot(Standard)

# RS405 RS410



RS405

RS410



## Features

High precision and high flexibility SCARA robot is widely used in various automation field. It can be easily integrated with peripheral control units and combined with linear modules, vision systems, end effectors etc. In addition to stand alone operations, it can also be used in a system workstations, and can easily adapt to changes in the production line to enhance quality and efficiency.

## Application

Material handling, arranging, packaging, assembly, dispensing, component insertion, inspection.

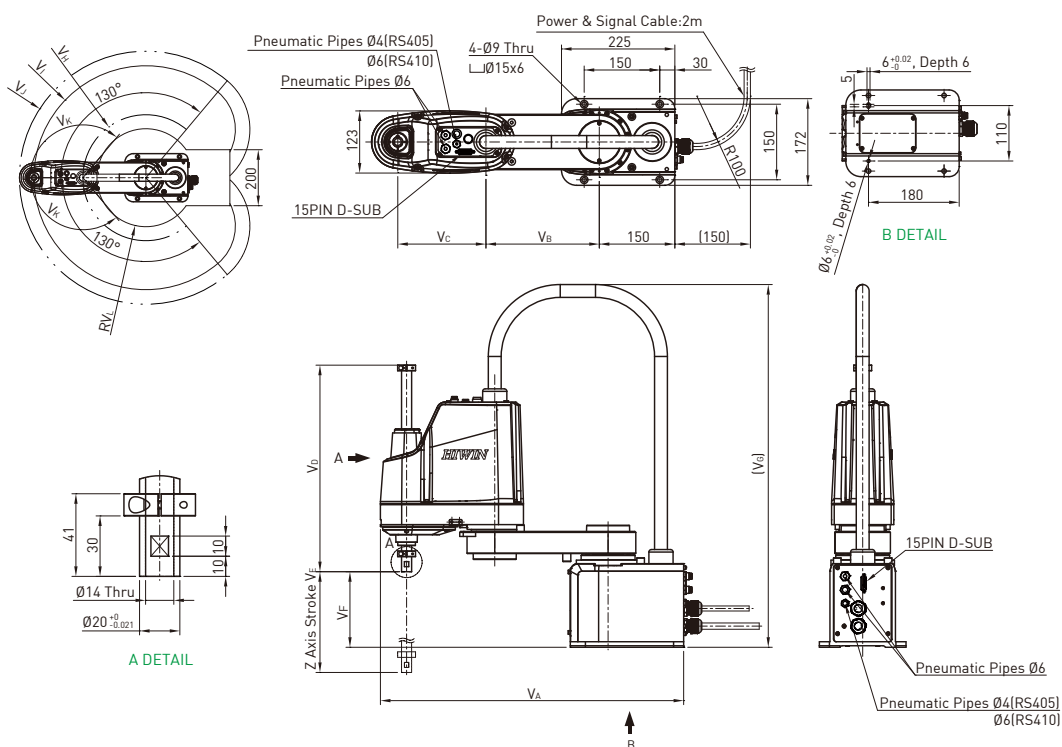
Model		RS405-LU		RS410-LU		
Degrees of freedom		4				
Rated/Max. payload [kg]		2/5		5/10		
Max. working radius [mm]		400	500	600	700	800
Working range	J1[deg]	±130				
	J2[deg]	±130		±150		
	J3[mm]	200/400				
	J4[deg]	±360				
Cycle time[s]*Note 1		0.42		0.52		
Repeatability	J1+J2[mm]	±0.01	±0.02	±0.02	±0.02	±0.025
	J3[mm]	±0.01				
	J4[deg]	±0.01				
Pneumatic joint [mm]		Ø6x2 , Ø4x1		Ø6x3		
Weight[kg]		22	23	30	31	32
Protection rating		IP20				
Controller		RC4-A				
Safety/Environmental standard		CE/RoHS2.0				

\* Note 1: Based on a back-and-forth movement over a vertical distance of 25mm and a horizontal distance of 100mm.

## Dimensions

Model / Dimensions	V <sub>A</sub>	V <sub>B</sub>	V <sub>C</sub>	V <sub>D</sub>	V <sub>E</sub>	V <sub>F</sub>	V <sub>G</sub>	V <sub>H</sub>	V <sub>I</sub>	V <sub>J</sub>	V <sub>K</sub>	V <sub>L</sub>
RS405-400-200-LU	602	225	175	410	200	150	720	R225	R400	R452	130°	R175.1
RS405-400-400-LU				610	400			R325	R500	R552		R251.3
RS405-500-200-LU	702	325		410	200	148		R325	R600	R666	150°	R162.7
RS405-500-400-LU				610	400			R425	R700	R766		R232
RS410-600-200-LU	816	325	275	410	200	167	780	R525	R800	R866		R318.1
RS410-600-400-LU				610	400			R425	R700	R766		
RS410-700-200-LU	916	425		410	200	167		780	R525	R800	R866	R318.1
RS410-700-400-LU				610	400				R425	R700	R766	
RS410-800-200-LU	1016	525	410	200	167	780	R525		R800	R866	R318.1	
RS410-800-400-LU			610	400			R425		R700	R766		

Unit:mm



# SCARA Robot(Protection)

# RS405 RS410



## Features

High precision and high flexibility SCARA robot is widely used in various automation field. It can be easily integrated with peripheral control units and combined with linear modules, vision systems, end effectors etc. In addition to stand alone operations, it can also be used in a system workstations, and can easily adapt to changes in the production line to enhance quality and efficiency.

## Application

Material handling, arranging, packaging, assembly, dispensing, component insertion, inspection.

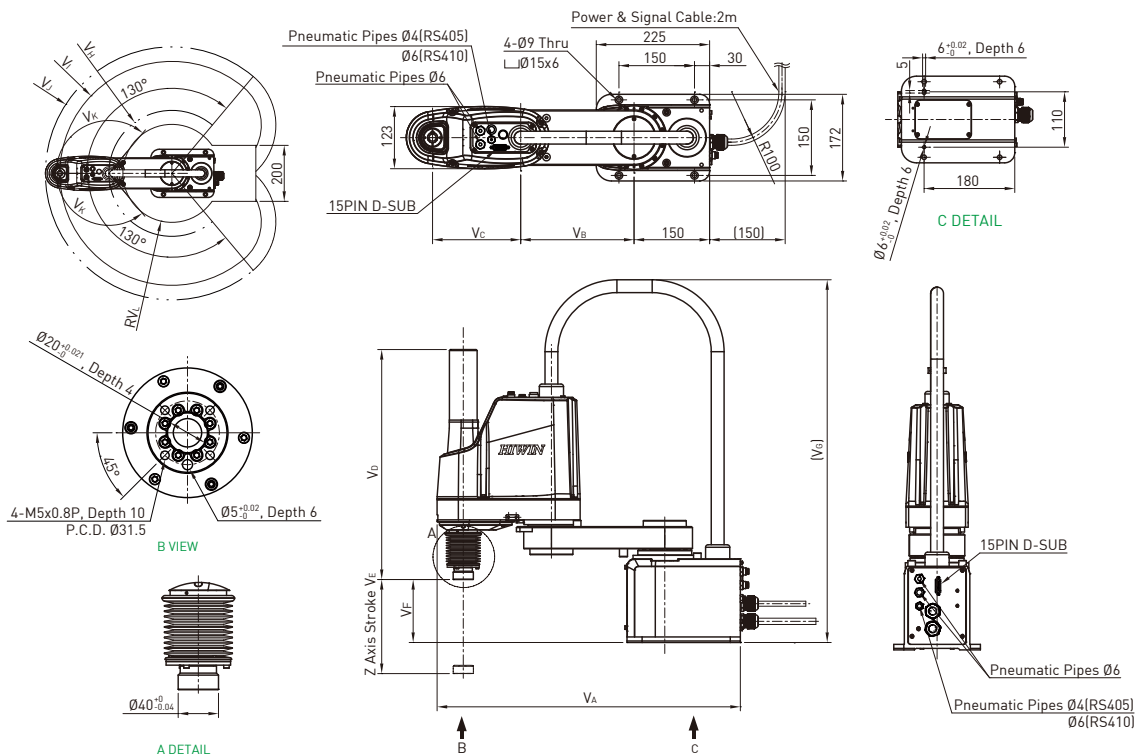
Model		RS405-LU		RS410-LU		
Degrees of freedom		4				
Rated/Max. payload [kg]		2/5		5/10		
Max. working radius [mm]		400	500	600	700	800
Working range	J1[deg]	±130				
	J2[deg]	±130		±150		
	J3[mm]	200/400				
	J4[deg]	±360				
Cycle time[s]*Note 1		0.42		0.52		
Repeatability	J1+J2[mm]	±0.01	±0.02	±0.02	±0.02	±0.025
	J3[mm]	±0.01				
	J4[deg]	±0.01				
Pneumatic joint [mm]		Ø6x2 , Ø4x1		Ø6x3		
Weight[kg]		22	23	30	31	32
Protection rating		IP40				
Controller		RC4-A				
Safety/Environmental standard		CE/RoHS2.0				

\* Note 1: Based on a back-and-forth movement over a vertical distance of 25mm and a horizontal distance of 100mm.

## Dimensions

Model / Dimensions	V <sub>A</sub>	V <sub>B</sub>	V <sub>C</sub>	V <sub>D</sub>	V <sub>E</sub>	V <sub>F</sub>	V <sub>G</sub>	V <sub>H</sub>	V <sub>I</sub>	V <sub>J</sub>	V <sub>K</sub>	V <sub>L</sub>
RS405-400-20P-LU	602	225	175	456.5	200	125	720	R225	R400	R452	130°	R175.1
RS405-400-40P-LU				655	400							R251.3
RS405-500-20P-LU	702	325		456.5	200	123		R325	R500	R552		
RS405-500-40P-LU				655	400							R251.3
RS410-600-20P-LU	816	325	275	461	200	142	780	R325	R600	R666	150°	R162.7
RS410-600-40P-LU				661	400							R232
RS410-700-20P-LU	916	425		459	200			R425	R700	R766		
RS410-700-40P-LU				659	400							R318.1
RS410-800-20P-LU	1016	525	459	200	R525	R800	R866					
RS410-800-40P-LU			659	400								

Unit:mm





# Controller Series



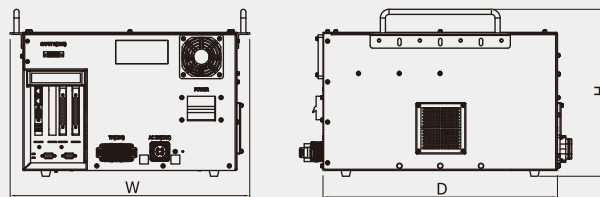
RCA605-GC / RCA610-GC



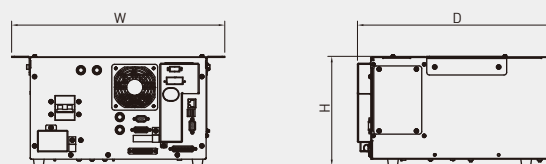
RCT605-GB / RCD403-GB



RC4-A



RCA605-GC / RCA610-GC / RCT605-GB / RCD403-GB



RC4-A

## Specifications

Model	RCA605-GC	RCA610-GC	RCT605-GB	RCD403-GB	RC4-A	
Control number of axes	6	6	6	4	4	
Weight[kg]	29	34	29	34	14	
Power	Input voltage / frequency	1Ø200-240V 50/60Hz	1Ø200-240V 50/60Hz	1Ø200-240V 50/60Hz	3Ø200-240V *Note 1 50/60Hz	1Ø200-240V 50/60Hz
	Max. current[A]	8A	18A	8A	4.5A	14A
Input/Output *Note 2	Function I/O	8 in/8 out	8 in/8 out	8 in/8 out	8 in/8 out	8 in/8 out
	Digital I/O	24 in/24 out	24 in/24 out	24 in/24 out	24 in/24 out	16 in/8 out
Communication interface	RS232	✓	✓	✓	✓	✓
	RS485 [Modbus-RTU]	✓	✓	-	-	✓
	Ethernet	✓	✓	✓	✓	✓
	★ Fieldbus	CC-Link, PROFINET	CC-Link, PROFINET	CC-Link, PROFINET	-	CC-Link, ProfiNet or EtherNet IP (2 choose 1)
	USB	✓	✓	✓	✓	✓
Teaching method	Teach pendant/HRSDK	Teach pendant/HRSDK	Teach pendant/HRSDK	Teach pendant/HRSDK	★Teach pendant /Remote/HRSDK	
Ambient temperature [°C]	0~45	0~45	0~45	0~45	5~45	
Ambient humidity [%]	20~75 (Non-condensing)	20~75 (Non-condensing)	20~75 (Non-condensing)	20~75 (Non-condensing)	20~75 (Non-condensing)	
Protection rating	IP23	IP23	IP20	IP20	IP23	
Dimensions(WxHxD)[mm]*Note 3	470 x 328 x 460	470 x 328 x 554	470 x 328 x 460	470 x 328 x 460	400 x 205 x 387	
Safety/Environmental standard	CE/RoHS2.0	CE/RoHS2.0	-	CE/RoHS	CE/RoHS2.0	

★ Optional

\* Note 1: If the regional power source is 3Ø 380V, an additional transformer(3Ø 380V to 220V, 2KVA) should be applied.

Note 2: I/O can be expanded, but RCD403-GB is not expandable.

Note 3: Dimensions needed for cable installation is not included in the drawing.

## Global Sales And Customer Service Site

### HIWIN GmbH

OFFENBURG, GERMANY  
www.hiwin.de  
www.hiwin.eu  
info@hiwin.de

### HIWIN Schweiz GmbH

JONA, SWITZERLAND  
www.hiwin.ch  
info@hiwin.ch

### HIWIN KOREA

SUWON • CHANGWON, KOREA  
www.hiwin.kr  
info@hiwin.kr

### HIWIN JAPAN

KOBE • TOKYO • NAGOYA • NAGANO •  
TOHOKU • SHIZUOKA • HOKURIKU •  
HIROSHIMA • FUKUOKA • KUMAMOTO,  
JAPAN  
www.hiwin.co.jp  
info@hiwin.co.jp

### HIWIN s.r.o.

BRNO, CZECH REPUBLIC  
www.hiwin.cz  
info@hiwin.cz

### HIWIN CHINA

SUZHOU, CHINA  
www.hiwin.cn  
info@hiwin.cn

### HIWIN USA

CHICAGO, U.S.A.  
www.hiwin.us  
info@hiwin.com

### HIWIN FRANCE

STRASBOURG, FRANCE  
www.hiwin.fr  
info@hiwin.de

### Mega-Fabs Motion Systems, Ltd.

HAIFA, ISRAEL  
www.mega-fabs.com  
info@mega-fabs.com

### HIWIN Srl

BRUGHERIO, ITALY  
www.hiwin.it  
info@hiwin.it

### HIWIN SINGAPORE

SINGAPORE  
www.hiwin.sg  
info@hiwin.sg

# HIWIN®

## HIWIN TECHNOLOGIES CORP.

No. 7, Jingke Road,  
Taichung Precision Machinery Park,  
Taichung 40852, Taiwan  
Tel: +886-4-23594510  
Fax: +886-4-23594420  
www.hiwin.tw  
business@hiwin.tw (Sales)  
robotsservice@hiwin.tw (Customer Service)

- HIWIN is a registered trademark of HIWIN Technologies Corp.. For your protection, avoid buying counterfeit products from unknown sources.
- Actual products may differ from specifications and photos provided in this catalog. These differences may be the result of various factors including product improvements.
- HIWIN website for patented product directory: [http://www.hiwin.tw/Products/Products\\_patents.aspx](http://www.hiwin.tw/Products/Products_patents.aspx)
- HIWIN will not sell or export products or processes restricted under the "Foreign Trade Act" or related regulations. Export of restricted products should be approved by proper authorities in accordance with relevant laws and shall not be used to manufacture or develop nuclear, biochemical, missiles or other weapons.

The specifications in this catalog are subject to change without notification.

Copyright © HIWIN Technologies Corp.

©2022 FORM C99DE11-2204 (PRINTED IN TAIWAN)